

ENGLISH

Care and maintenance	3
Features	4
Technical specifications	4
Audio	4
Connectivity	4
Microphone	4
Cable	4
Battery	4
Other features	4
Product content	4
General overview	4
Switching on and off the device	5
Auto power off	6
Charging the battery	6
Wireless Bluetooth® connection	6
Call control (hands-free function)	6
Voice Assistant	7
Audio input	7
Reset	7
Warranty	7
Trademarks	7
Declaration of conformity	7

ENERGY♥SYSTEM

**style3.**Manual de usuario / User manual
Manual de l'utilisateur / Manual do usuário

Thank you for trusting our company and buying the new *Headphones Bluetooth® Style 3*. We hope you enjoy the product.

We recommend reading this manual to make the most of your device.

Care and maintenance

- Do not expose your headphones to impacts, dust, humidity or high temperatures.
- Do not use neither corrosive nor abrasive cleaning products.
- Keep the headset clean and free of dust using a soft, dry cloth.
- Do not disassemble your headphones. All repair works should be carried out exclusively by qualified staff of Energy Sistem Technology, S.A.
- Do not leave the battery completely discharged for a long period of time.

Features

Technical specifications

Audio

- Frequency response: 20 Hz ~ 20 kHz
- Driver diameter: 40 mm
- Over-ear design
- Type: dynamic

Connectivity

- Bluetooth® 5.1 (class 2) wireless technology.
- Frequency band: 2.4 GHz
- Maximum output power: < 20.00 dBm
- Compatible Bluetooth profiles: HSP / HFP / A2DP / AVRCP
- Compatible with SBC codecs
- Up to 20 m distance range
- Hands-free function
- Voice assistant compatible with Google/Siri

Microphone

- Type: built-in microphone
- Sensitivity: -38 dB ± 3 dB (@1 kHz)
- Frequency range: 10 Hz ~ 10 kHz

Cable

- Length: 120 cm
- Plug: 3.5 mm jack
- Volume control
- Playback control

Battery

- Capacity: 400 mAh / 3.7 V
- Type: lithium-polymer battery
- Battery life at medium volume: 25 hours*
- Charging time: 2 hours
- Charging method: USB Type-C

Other features

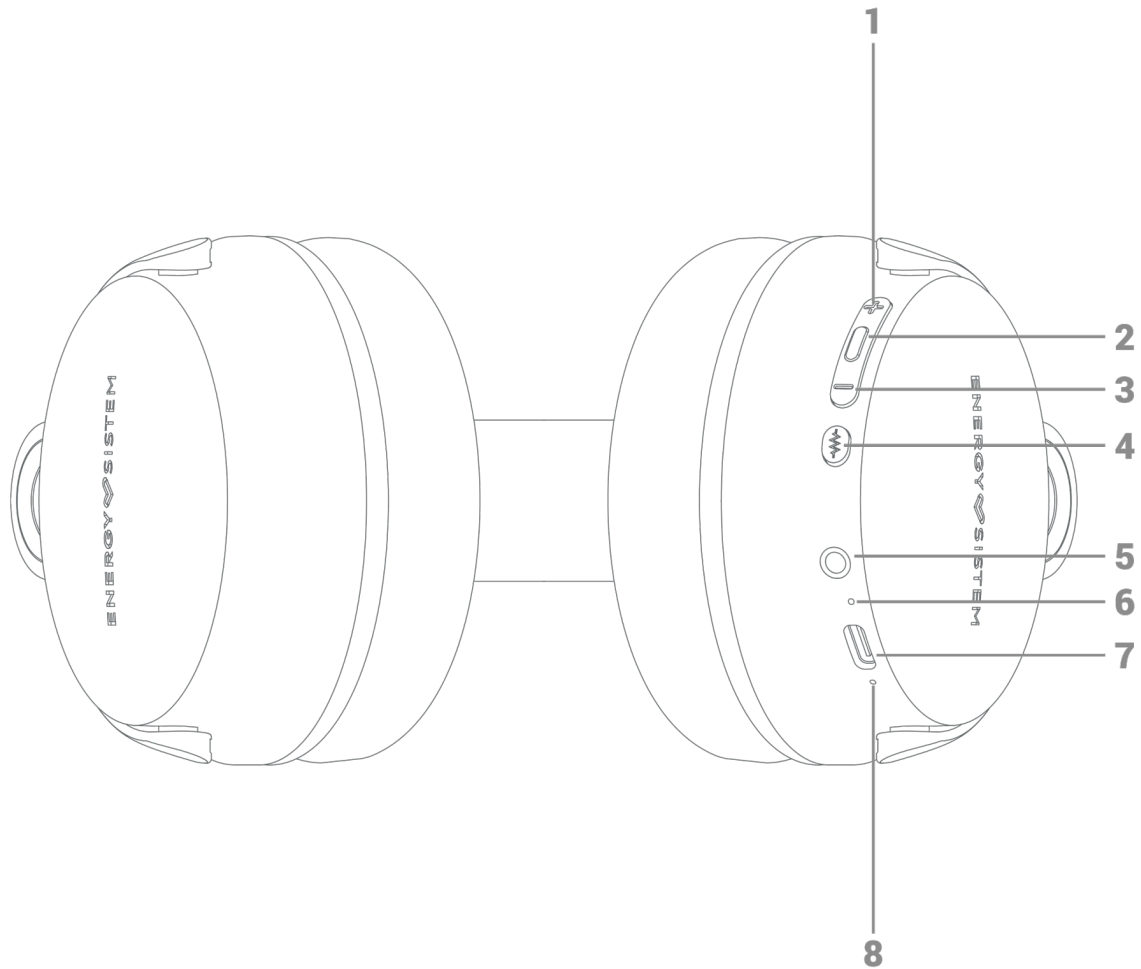
- Adjustable headband

*This value is approximate. The battery life depends on the selected volume and the type of music.

Product content

- Energy Headphones Bluetooth® Style 3
- USB Type-C charging cable
- Audio cable
- Quick guide

General overview



1. Volume + / Next
2. Multifunction button
3. Volume - / Back
4. Voice assistant button
5. Audio input
6. LED indicator
7. USB Type-C charging port
8. Hands-free microphone

Switching on and off the device

To turn on your *Headphones Bluetooth® Style 3*, press and hold the *Multifunction button (2)* for 2 seconds. You will hear a confirmation sound. Press and hold the *Multifunction button (2)* for 2 seconds to switch off the headphones. You will hear a sound when you switch them off.

Auto power off

To optimise battery life, your headphones turn off automatically after 5 minutes in Bluetooth search mode, if not synchronised with any other device.

Charging the battery

When the battery level is below 10%, the *LED indicator (6)* starts flashing red. When the battery level is below 2%, you will hear a sound to remind you to charge it.

The *LED indicator (6)* lights up red while charging the device and turns off once the charging process is complete. To charge the battery, plug the USB Type-C end of the provided USB cable to your headphones' *USB Type-C charging port (7)* and the other USB end to any device with a USB charging port that provides energy (PC, USB wall charger, car charger, etc.). It takes approximately 2 hours to charge it.

Note:

- To optimise battery life, do not store or leave your device unused or completely discharged for a long period of time.
- The headphones will power off and start charging when you connect the charging cable. Current EU safety regulations do not allow to charge and use the headphones at the same time.

Wireless Bluetooth® connection

Press and hold the *Multifunction button (2)* for 2 seconds, until the *LED indicator (6)* starts flashing white. Your headphones are now ready to be paired with your Bluetooth device. Select *Headphones Bluetooth® Style 3* on your device screen and press "connect". You will hear a confirmation sound when both devices are paired.

Once your devices are synchronised, you can control basic playback functions such as turning up and down the volume and switching to the next or previous track directly from your headphones.

Press *Volume + (1)* or *Volume - (3)* to turn up or down the volume. You will hear a sound when reaching the maximum volume level.

Press and hold *Next (1)* to skip to the next song. You can also press and hold *Back (3)* to skip to the previous track.

Press the *Multifunction button (2)* once to pause or resume playback.

Note: *If you're using the audio cable instead of the Bluetooth connection, you will have to control music playback from your music player and not from the headphones.*

Call control (hands-free function)

Once your headphones and smartphone are paired using the Bluetooth® connection, simply wear your headphones and answer calls with the *Hands-free microphone (8)*.

Press the *Multifunction button (2)* to answer an incoming call. If you are listening to music when you receive a call, playback will pause and you will hear an incoming call sound. You can also press and hold this button for 2 seconds to reject a call.

Press the *Multifunction button (2)* to hang up. Playback will resume from where it stopped.

The built-in microphone is designed to answer conventional phone calls from the smartphone. If you intend to connect these headphones to your Windows PC or MAC and use them for home office purposes such as video calls (Teams, Skype, Zoom, etc.), we recommend purchasing this add-on specifically designed for optimal performance:

<https://www.energysistem.com/headphones-microphone-1-45265-en>

Voice Assistant

Your *Headphones Bluetooth® Style 3* feature a *Voice assistant button (4)* that allows you to directly activate your smartphone's assistant.

This function activates your smartphone's digital assistant and lets you use voice commands to perform tasks naturally and easily.

Please take into account that the *Voice assistant button (4)* activates your smartphone's voice assistant and depends on it to perform actions. You can also take a look at Google Assistant and Siri user guides, available on their manufacturers' websites.

Audio input

You can also connect your *Headphones Bluetooth Style 3* to your music player using the audio cable provided. You don't need to switch on your headphones if you want to use the audio cable.

To enable this mode, simply plug one cable end into the *Audio input (5)* and the other end to your music player.

Note: *If you're using the audio cable instead of the Bluetooth wireless connection, you will have to control music playback from your music player and not from the headphones.*

Reset

You can force your *Headphones Bluetooth® Style 3* to shut down. To do so, press and hold both the *Volume + (1)* and *Volume - (3)* buttons. The headphones will disconnect from the last paired device.

Warranty

Find the full warranty terms and conditions at:
www.energysystem.com/terms-warranty.

Trademarks

All company brand and product names are trademarks or registered trademarks of their respective companies. Specifications are subject to change without notice.

© 2022 by Energy Sistem Technology, S.A. All rights reserved.

Declaration of conformity

Issuer's name: Energy Sistem Technology, S.A.
Address: C/ Calpe, 1 - 03509 Finestrat, Alicante (Spain)
CIF: A53107488

We declare under our sole and exclusive responsibility that the product:

- Description: wireless headphones
- Brand: Energy Sistem
- Model: Headphones Bluetooth® Style 3
- Manufacturer: Energy Sistem Technology, S.A.
- Manufacturing country: China

referred to in this declaration complies with the essential norms and standards:

- EN IEC 62368-1:2020+A11:2020
- EN 62479:2010
- ETSI EN 301 489-1 V2.2.3 (2019-11)
- ETSI EN 301 489-17 V3.2.4 (2020-09)
- ETSI EN 300 328 V2.2.2 (2019-07)

in conformity with the provisions of the Directive 2014/53/EU of the European Parliament and of the Council of 16th April 2014.

Finestrat, 1st May 2022



Miguel Ángel Aragüez García
Innovation and Technology Director

